

NEW TRAILER MOVER

MINI MOVER

**ELECTRIC
POWERED
JOCKEY
WHEEL**

The Mini Mover is perfect for final positioning of trailers or moving a loaded trailer with complete steering control.

SIMPLE HEIGHT ADJUSTER
Fine tune the ride height quickly and easily.

NEW! STRONGER CLAMP
Simple and easy to install.
No drilling required.

STEERING CONTROL
360° steering with power forward and reverse.

POWERFUL MOTOR
Pulls up to a 6,000lbs rolling load over a 7° incline.

**HEAVY DUTY FLAT-FREE
TIRE** Solid 8" treaded tire.

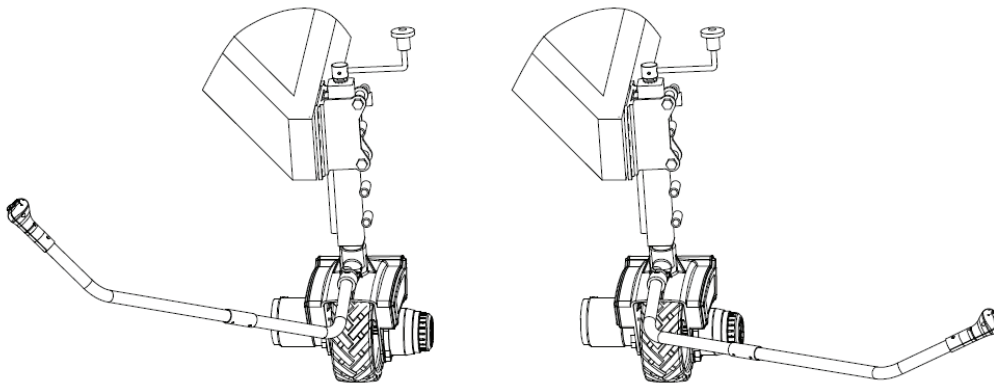


MORE AT NOVAWINCH.COM

NOVAWINCH®

Mini Mover

12VDC, 6000 lbs Rolling Weight Capacity



Specifications

Model	MINI MOVER Gen 3 Electric Jockey Wheel
Voltage	12v DC, 20Aj lead-acid battery or jumpstart
Maximum Capacity	6000 lbs (2721 kg) Rolling Weight
Line Speed	23fpm (7m/min)
Motor Power	0.7 hp (550 kW)
Brake	Automatically Engages
Max Incline	7°
Battery Cable Length	54 (137cm) -Quick Connect + ring terminals

Our winch-inspired wheel powers up to a 6,000 lbs trailer that makes tucking your trailer into tight spaces effortless. The Mini Mover powers forward and reverse and steering tiller giving you complete directional control. Features adjustable height control and the Mini Mover can retract when not in use (retracts up to 13.5").