

PT1100 PULLING & LIFTING TOOL

When you are in a workshop, yard, garage or home and have access to a mains power source, simply plug in the PT1100AC winch lifting unit. This allows you to pull winch, lift and handle all tasks about the area, with speed, ease and safety.



* Emergency stop button.



* Equip with overload protector, with LED indicator, cut off power when overloading automatically.



* External switch can be choose.



PT1100

SPECIFICATIONS:

Model: PT1100AC-1/PT1100AC-2

Voltage:

PT1100AC-1: 110-120V 50/60Hz PT1100AC-2: 220-240V 50/60Hz

Maximum Capacity: 1100lbs (500kg)

Line Speed: ≥6.56ft/min (2m/min)

Motor Power: 1.0hp / 0.75kW

Wire Rope: Φ3/16" X 16' (Φ4.8mm X 4.88m)

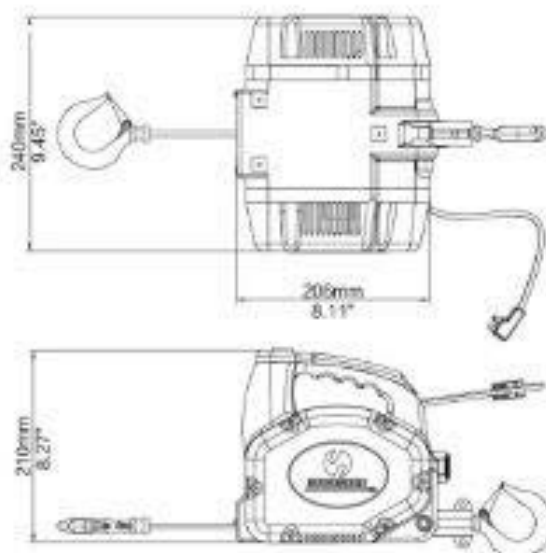
Weight(Without battery): 24lbs(11kg)

Load Indicator: Electronics, with LED

Service Duty: S2-M2

Dimensions: 9.45" X 8.11" X 8.27" (240mm X 206mm X 210mm)

Working time: 1 minute working, 5 minutes cooling



PT1100



Other Brand



PT1100



Other Brand

ITEM	PT1100	Other Brand	Advantage
Max Line Pull	1100lbs(500kg)	1000lbs(453kg)	Better Capacity
Dimension	240*200*210mm	190*300*223mm	More Compact
Housing	A380 Aluminum Alloy	Plastic / Nylon	More Solid
Wire Rope	4.88 meters	4.6 meters	Longer Rope
Line Speed around Full load	1.6 m/min	2.2 m/min	Faster and constant Line Speed
Duty Cycle	1 minute work, 5 minutes cooling	1 minute work, 30 minutes cooling	Longer working time
Drum	Big drum diameter With groove Two wire rope mounting holes	Small drum diameter without groove One wire rope mounting hole	Wire rope always on first layer, winch has constant line pull Drd ratio > 20:1 All for safety operation
Motor	Replaceable Brush Double insulation High rotation speed	Normal winch motor	Low noise Longer lifetime
Brake	Dynamic and spring brake	Dynamic only	Dual brake ensure safety
Hawse	Hawse with roller	Hawse only	Roller can be changed Wire rope has longer lifetime
Insulation	Double insulation layer on housing	Single plastic layer on housing	More durable and texture
Wire rope tensions	Have	No	Avoid wire rope "NEST"